

BALDOR® • RELIANCE 

Product Information Packet

EM4312T-G

50HP, 1185RPM, 3PH, 60HZ, 365T, A36062M, TEFC

| Part Detail | | | | | | | |
|-------------|----|-------------|------------|-------------|------------|---------------|------------|
| Revision: | Q | Status: | PRD/A | Change #: | | Proprietary: | No |
| Type: | AC | Elec. Spec: | A36WG1227 | CD Diagram: | 416820-002 | Mfg Plant: | |
| Mech. Spec: | | Layout: | 617428-021 | Poles: | 06 | Created Date: | 12-13-2011 |
| Base: | | Eff. Date: | 04-24-2020 | Leads: | 3#4,6#6 | | |

| Specs | | | |
|--------------------------------|-------------------------|--------------------------------|-----------------------|
| Catalog Number: | EM4312T-G | Drip Cover: | No Drip Cover |
| Enclosure: | TEFC | Duty Rating: | CONT |
| Frame: | 365T | Feedback Device: | NO FEEDBACK |
| Frame Material: | Iron | Heater Indicator: | No Heater |
| Output @ Frequency: | 40.000 HP @ 50 HZ | Insulation Class: | H |
| | 50.000 HP @ 60 HZ | Inverter Code: | Inverter Ready |
| Synchronous Speed @ Frequency: | 1200 RPM @ 60 HZ | IP Rating: | NONE |
| Voltage @ Frequency: | 380.0 V @ 50 HZ | KVA Code: | F |
| | 230.0 V @ 60 HZ | Lifting Lugs: | Standard Lifting Lugs |
| | 190.0 V @ 50 HZ | Motor Lead Quantity/Wire Size: | 3 @ 4 AWG |
| | 460.0 V @ 60 HZ | Motor Type: | A36062M |
| XP Class and Group: | None | Mounting Arrangement: | F1 |
| XP Division: | Not Applicable | Power Factor: | 81 |
| Agency Approvals: | CSA EEV | Product Family: | General Industrial |
| | CCSA US | Pulley End Bearing Type: | Ball |
| Auxillary Box: | No Auxillary Box | Pulley Face Code: | Standard |
| Base Indicator: | Rigid | Shaft Ground Indicator: | Shaft Grounding |
| Bearing Grease Type: | Polyrex EM (-20F +300F) | Shaft Rotation: | Reversible |

| | | | |
|---------------------------|---------------------|----------------------------------|----------------|
| Current @ Voltage: | 61.700 A @ 460.0 V | Shaft Slinger Indicator: | No Slinger |
| | 60.000 A @ 380.0 V | Speed Code: | Single Speed |
| | 133.000 A @ 208.0 V | Motor Standards: | NEMA |
| | 123.000 A @ 230.0 V | Starting Method: | Direct on line |
| | 120.000 A @ 190.0 V | Thermal Device - Bearing: | None |
| Design Code: | B | Thermal Device - Winding: | None |

Nameplate NP2496L

MOBIL POLYREX EM

| | | | | | | | | | | |
|--------------------------------|---------------------------|--|--------------|----------------------------|---------------|----|--------------------|---------------------|------|--|
| Nameplate NP2381L | | | | | | | | | | |
| SPEC NO. | A36-1283-1227 | | | CAT.NO. | EM4312T-G | | | FRAME | 365T | |
| HP | 50//40 | | PHASE | 3 | DESIGN | B | TYPE | P | | |
| RPM | 1185//985 | | HZ | 60//50 | AMB | 40 | SF | 1.15 | | |
| VOLTS | 230/460//190/380 | | | DUTY | CONT | | INSUL.CLASS | H | | |
| AMPS | 123/61.7//120/60 | | | ENCL | TEFC | | CODE | F | | |
| DRIVE END BEARING | 65BC03J30X | | | NEMA-NOM-EFFICIENCY | 94.1 | | | | | |
| OPP D.E. BEARING | 65BC03J30X | | | | | | | | | |
| SER.NO. | USABLE AT 208V @ 133 AMPS | | | | | | | | | |
| VPWM INV DUTY 10:1 CT AT 1.0SF | | | | | | | | MOTOR WEIGHT | | |

| Parts List | | |
|-------------|---------------------------------------|----------|
| Part Number | Description | Quantity |
| SA235677 | SA A36-1283-1227 | 1.000 EA |
| RA222636 | RA A36-1283-1227 | 1.000 EA |
| 421948032 | LABEL, MYLAR | 1.000 EA |
| NP2496L | MOTOR LUBE NAMEPLATE | 1.000 EA |
| 000613006PU | N/P (RELEASE QTY 10,000) UL CSA LABEL | 1.000 EA |
| 000692000VD | LABEL WARNING | 1.000 EA |
| NP2381L | SUPER-E ,SS, CSA,CSA SUPER-3 | 1.000 EA |
| 085922073B | BRKT 360 085922072WCC KB | 1.000 EA |
| 415072001B | CLAMP | 1.000 EA |
| 078559001A | +FANCV - 360 | 1.000 EA |
| 034180012DA | KEY 1X4X1/4X1-1/2 L | 1.000 EA |
| 078550001M | FAN KB 60/30 (30) 360 | 1.000 EA |
| 004824015A | GREASE POLYREX EM | 0.540 LB |
| 032018012DK | HHCS 1/2-13X1-1/2 PLTD. | 4.000 EA |
| 032018008AK | HHCS 1/4-20X1 PLATED | 4.000 EA |
| 032018024CK | HHCS 3/8-16X3 PLTD. | 3.000 EA |
| 415096002A | CPLG 1/8 HEX TYPE | 1.000 EA |
| 410700004F | WSHR | 1.000 EA |
| 035000001G | GREASE RELIEF FITTING, ALEMITE 317400 | 1.000 EA |
| 035000001G | GREASE RELIEF FITTING, ALEMITE 317400 | 1.000 EA |
| 034530052AB | P/NIP 1/8X6-1/2 GALV. | 1.000 EA |
| 034690001AB | 1/8" NPT SQHDPLG | 1.000 EA |
| 034600001AA | BUSH 1/4TO1/8 BLACK | 1.000 EA |
| 034690001AB | 1/8" NPT SQHDPLG | 1.000 EA |

| Parts List (continued) | | |
|------------------------|---|----------|
| Part Number | Description | Quantity |
| 415045002E | SLGR | 1.000 EA |
| 034600001AA | BUSH 1/4TO1/8 BLACK | 1.000 EA |
| 085922073B | BRKT 360 085922072WCC KB | 1.000 EA |
| 032018012DK | HHCS 1/2-13X1-1/2 PLTD. | 4.000 EA |
| 032018024CK | HHCS 3/8-16X3 PLTD. | 3.000 EA |
| 077176000L | C/BOX, 360-400 | 1.000 EA |
| BP5327 | SHAFT GRD BRUSH (SGR-74.7-3CFHAT2) | 1.000 EA |
| 077176001A | CBOXC, PAINTED 360-400 | 1.000 EA |
| 043292000AJ | GASK 320-400 | 1.000 EA |
| 402731001A | GASK 360-440 | 1.000 EA |
| 418150003A | GREASE FITTING CAP | 1.000 EA |
| MG1025Y17 | WILKOFAS, 789.701, SUPER E PEARL GOLD | 0.250 GA |
| 032018005AK | HHCS 1/4-20X5/8 PLATED | 4.000 EA |
| 032018008CK | HHCS 3/8-16X1L PLATED | 4.000 EA |
| 035000001A | ALFTG 1/8" 1610-BL | 1.000 EA |
| 418150003A | GREASE FITTING CAP | 1.000 EA |
| 415000103D | T/LUG #4AWG-1/0AWG W/HOLE FOR .250 BOLT | 1.000 EA |
| 406099000A | PLUG - FAN COVER 320-440 | 1.000 EA |
| 033512004LB | HHTTS 1/4-20X1/2 PLTD. | 1.000 EA |
| 035000001A | ALFTG 1/8" 1610-BL | 1.000 EA |
| 033775004EA | DRSCR #6-1/4 304 S.S. | 2.000 EA |
| 034180034HA | KEY 5/8X5/8X4-1/4 L | 1.000 EA |
| HW1000A32 | 5/16 FL WASHER WIDE, ID=.344, OD=1.125 | 3.000 EA |
| 032509020C | CARRIAGE BOLT - 360 | 3.000 EA |

| | | |
|----------|------------------------------------|----------|
| 14PA1000 | PACKAGING 314 GROUP COMBINED PRINT | 1.000 EA |
|----------|------------------------------------|----------|

| | | | | | | |
|----------|-------------|------------------|--------------|--|----------------|-----------|
| S/O | FRAME | HP | TYPE | PHASE/ HERTZ | RPM | VOLTS |
| | 365T | 50 | P | 3/60 | 1185 | 230/460 |
| AMPS | DUTY | AMB °C/ INSUL | S.F. | NEMA DESIGN | CODE LETTER | ENCLOSURE |
| 123/61.7 | CONT | 40/H | 1.15 | B | F | TEFC |
| E/S | ROTOR | TEST S.O. | TEST DATE | STATOR RES. @25 °C OHMS (BETWEEN LINES) | | |
| 492287 | 418141-74EE | --- | --- | .0325/130 | | |

PERFORMANCE

| LOAD | HP | AMPERES | RPM | % POWER FACTOR | % EFFICIENCY |
|---------|------|---------|------|----------------|--------------|
| NO LOAD | 0 | 21.3 | 1200 | 5.08 | 0 |
| 1/4 | 12.5 | 26.2 | 1197 | 49.4 | 90.8 |
| 2/4 | 25.0 | 35.6 | 1193 | 70.0 | 93.9 |
| 3/4 | 37.5 | 47.8 | 1190 | 77.8 | 94.4 |
| 4/4 | 50.0 | 61.7 | 1186 | 80.6 | 94.2 |
| 5/4 | 62.5 | 76.7 | 1182 | 81.5 | 93.6 |


SPEED TORQUE

| | RPM | % TORQUE FULL LOAD | TORQUE LB.-FT. | AMPERES |
|--------------|------|-----------------------|-------------------|---------|
| LOCKED ROTOR | 0 | 154 | 340 | 345 |
| PULL UP | 650 | 133 | 295 | 305 |
| BREAKDOWN | 1133 | 230 | 510 | 191 |
| FULL LOAD | 1186 | 100 | 221 | 61.7 |

AMPERES SHOWN FOR 460 VOLT CONNECTION. IF OTHER CONNECTIONS ARE AVAILABLE, THE AMPERES WILL VARY INVERSELY WITH THE RATED VOLTAGE.

TYPICAL DATA

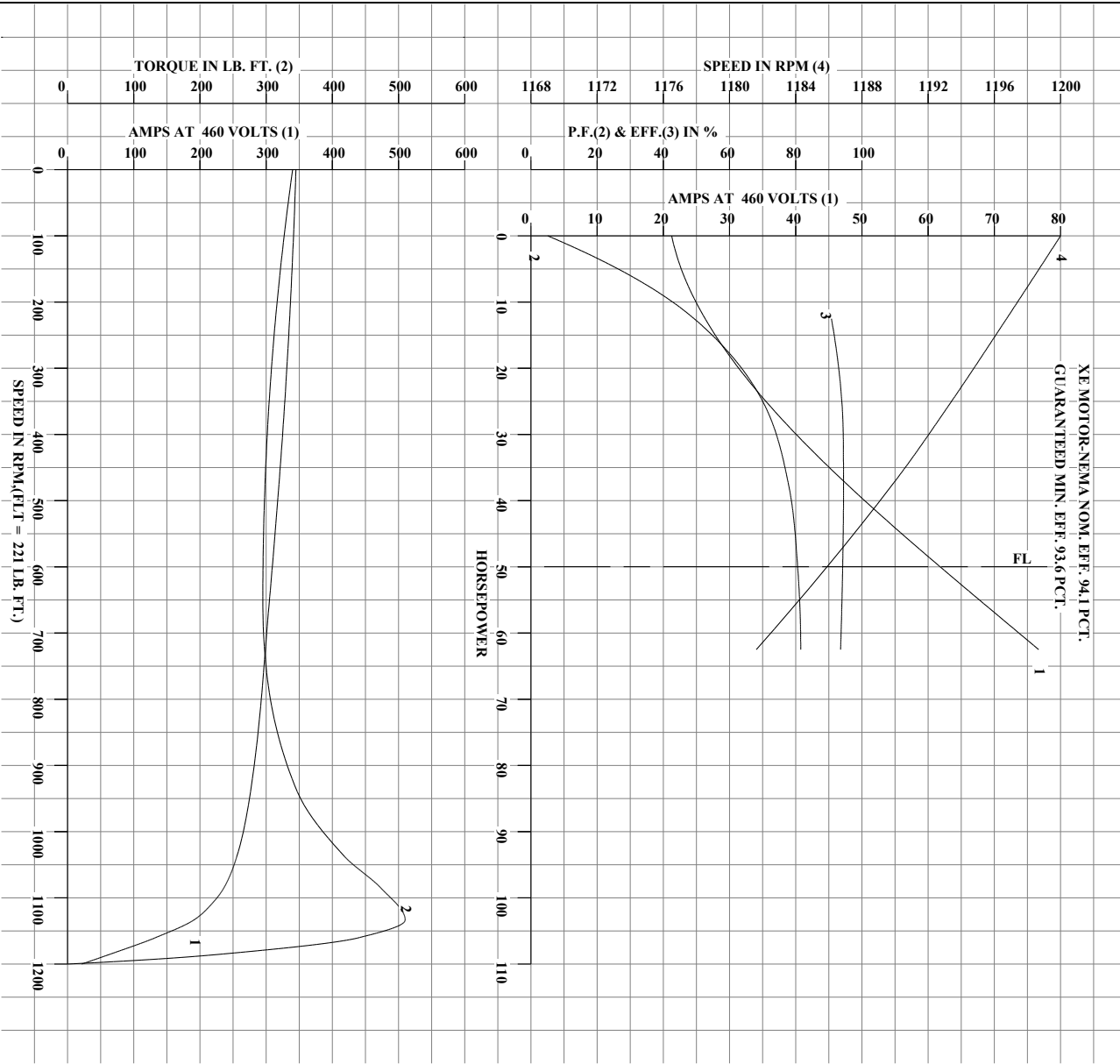
XE MOTOR-NEMA NOM. EFF. 94.1 PCT.
GUARANTEED MIN. EFF. 93.6 PCT.

| | | | |
|---|---|---------------------------------|---|
|  | DRAWN BY: G. R. WEBB | AC MOTOR PERFORMANCE DATA | A36WG1227-R012 DATE ISSUED 12/12/11 |
| | CHECKED BY: W. L. SMITH APPROVED BY: W. L. SMITH DATE: 12/12/11 | | |

USERCHR1

Printed on 01/08/2019 8:37 AM

| | | | | | | | |
|-------------|------|--------------|----------|-------------|--------|----------------------|--------------|
| REL.S.O. | 365T | RPM | 1185 | S.F. | 1.15 | ROTOR | 418141-74EE |
| FRAME | 50 | VOLTS | 230/460 | NEMA DESIGN | B | TEST S.O. | TYPICAL DATA |
| HP | 50 | AMPS | 123/61.7 | CODE LETTER | F | TEST DATE | -- |
| TYPE | P | DUTY CONT | | ENCLOSURE | TEFC | STATOR RES. @ 25°C | .0325/130 |
| PHASE/HERTZ | 3/60 | AMB °C/INSUL | 40/H | E/S | 492287 | OHMS (BETWEEN LINES) | |



AMPERES SHOWN FOR 230/460 VOLT CONNECTION, IF OTHER VOLTAGE CONNECTIONS ARE AVAILABLE, THE AMPERES WILL VARY INVERSELY WITH THE RATED VOLTAGE.



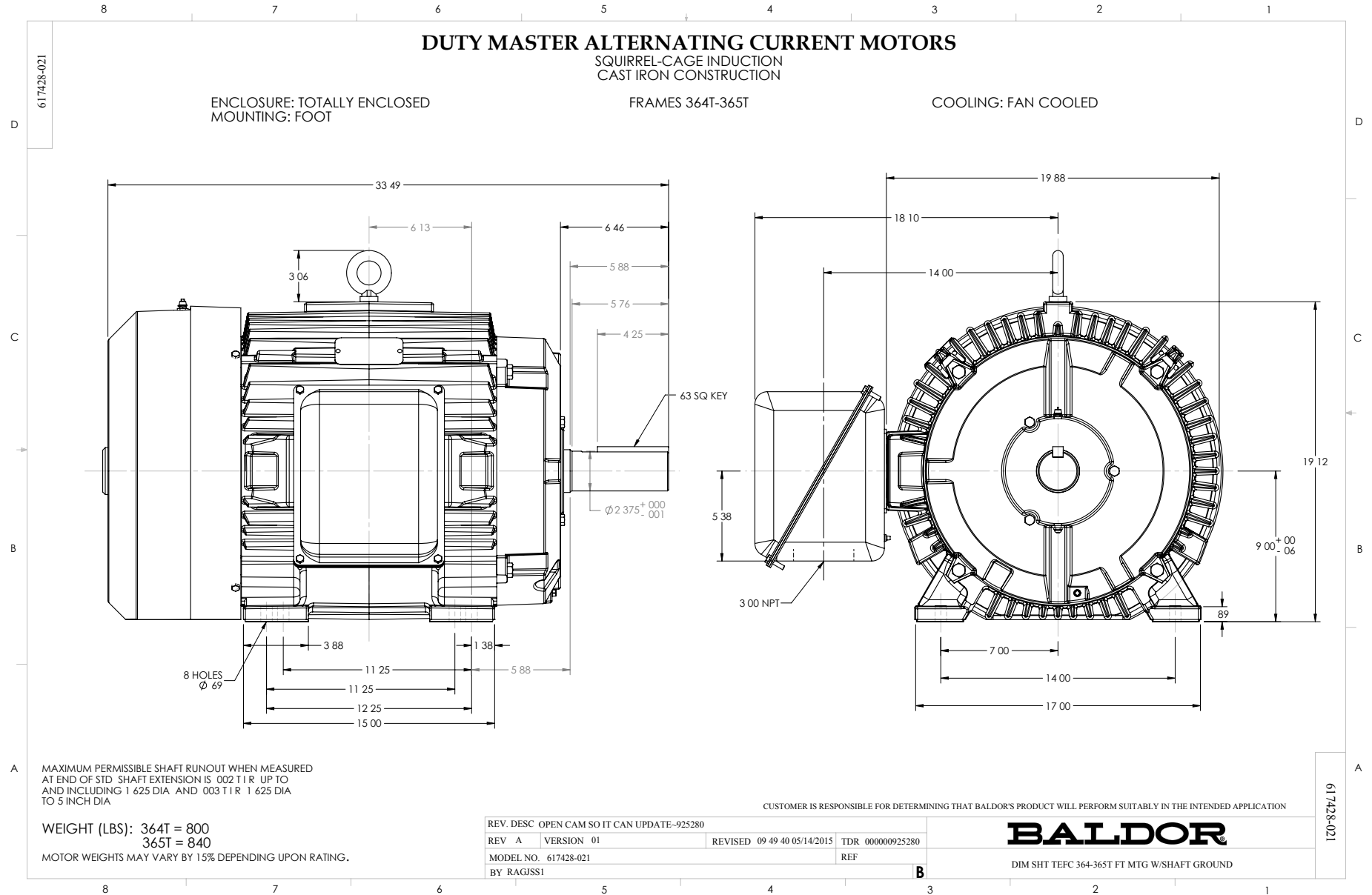
DRAWN BY: G. R. WEBB
 CHECKED BY: W. L. SMITH
 APPROVED BY: W. L. SMITH
 DATE: 12/12/11

AC MOTOR
 PERFORMANCE
 DATA

A36WG1227-R012
 ISSUE DATE: 12/12/11

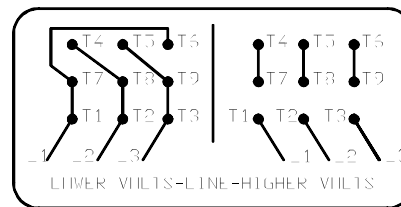
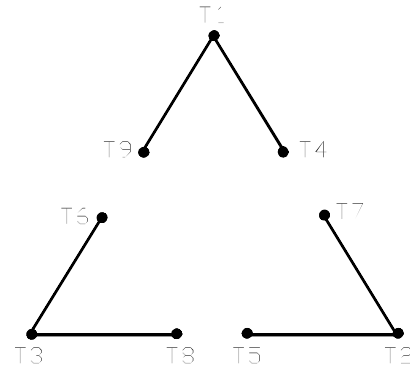
USERCHR1

Printed on 01/08/2019 8:37 AM



416820-002

A-C MOTOR
 CONNECTION DIAGRAM
 STANDARD 9 LEAD DELTA-CONNECTED



(N.P. 1575-B)

416820-002

| | | |
|---|------------------------------|-------------------|
| REV. DESC: FONT CHANGE FOR PDF SEARCHABLE | | |
| REV. LTR: A | VERSION: 01 | TDR: 000001009382 |
| FILE: \MGA\00000\661 | REVISED: 02:46:19 02/13/2020 | BY: MGHMTT |
| MTL: - | ⊙ □ | |

BALDOR - RELIANCE®

CONN DIAG - STANDARD 9 LEAD, DELTA-CONNECTED

SH 1 of 1

Marketing maintained PDF of MN408:

[MN408?ManNumber=MN408](#)

Marketing maintained PDF of MN416:

[MN416?ManNumber=MN416](#)